

# ***IAG Rock Armor Rear Shock Trailing Arm Skid Plate***

***For 21+ Ford Bronco***



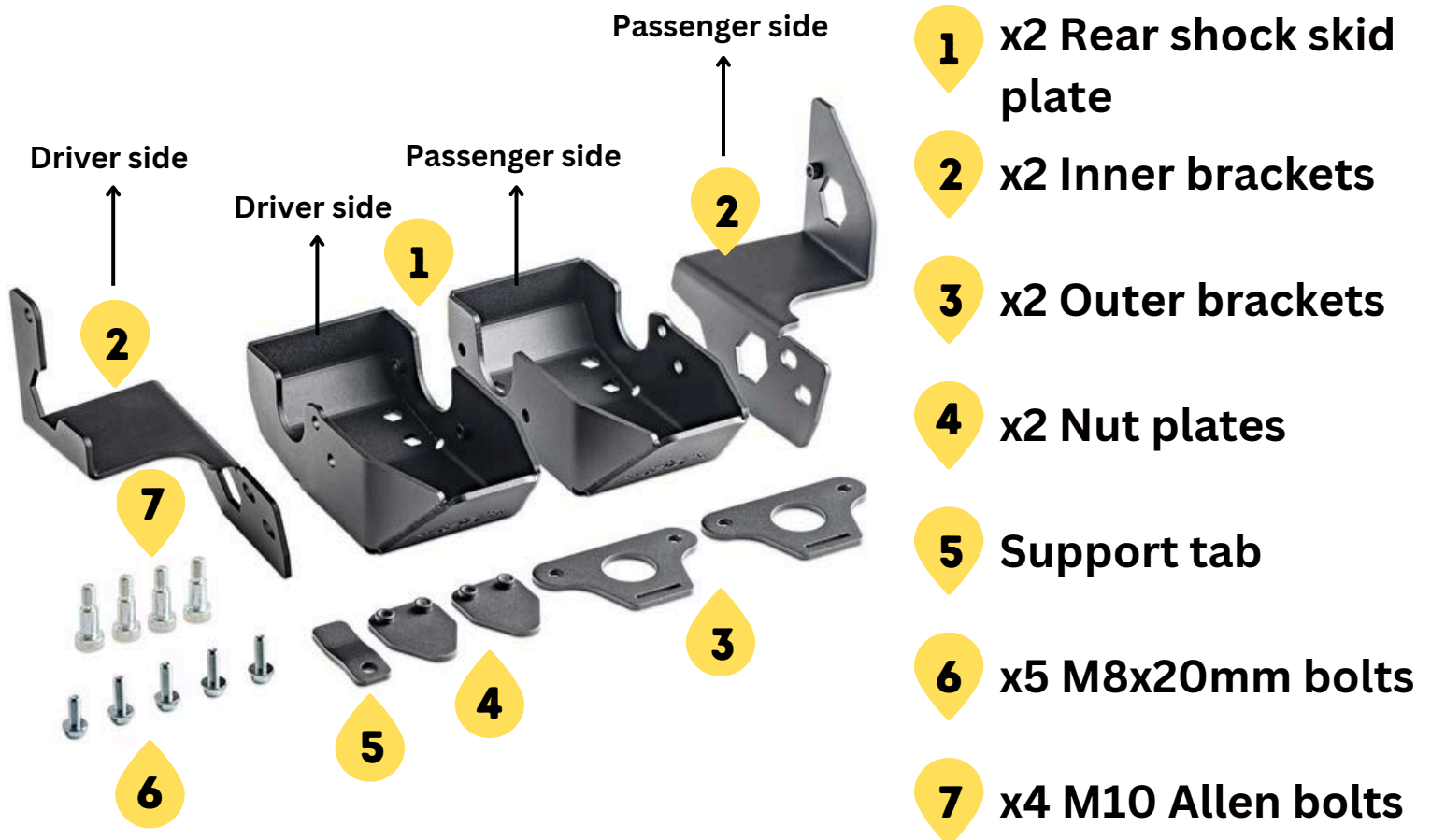


## IAG-BDY-F2306 IAG Rock Armor Rear Shock Trailing Arm Skid Plate for 21+ Ford Bronco

Congratulations on the purchase of your IAG Rock Armor Rear Shock Trailing Arm Skid Plate, and thank you for choosing IAG Off Road! These instructions are intended for users with basic mechanical skills. Professional installation is not required.

Video Instructions can be found here:

[https://youtu.be/p3hSlk\\_xfcY?si=N47OwO\\_gw9PrGyZ5](https://youtu.be/p3hSlk_xfcY?si=N47OwO_gw9PrGyZ5)



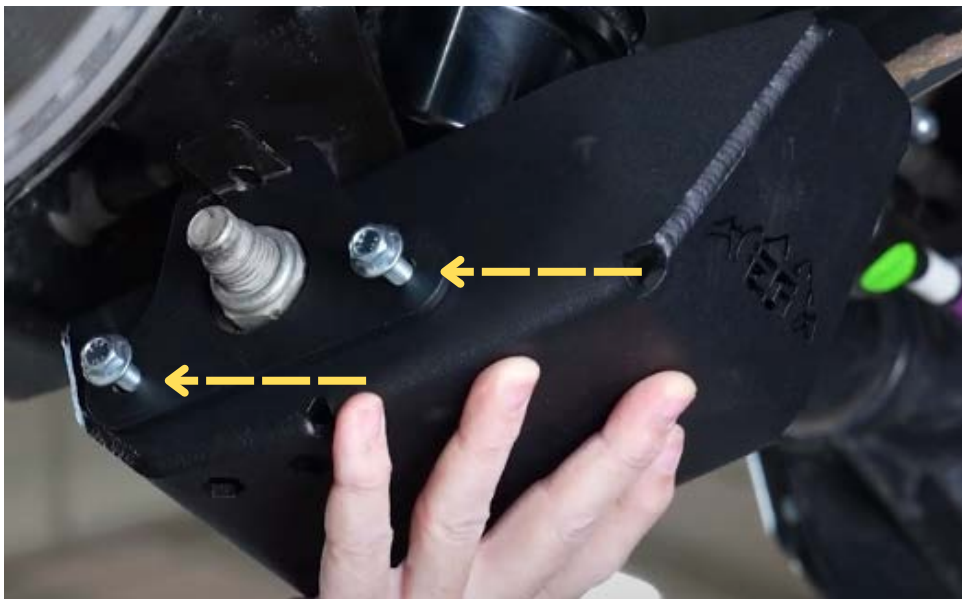
**Tools needed:** 12mm, 10mm socket and 5mm allen wrench



### Step 1

On passenger side install the passenger shock skid plate and one outer bracket.

3



### Step 2

Install the outer bracket using two of the M8 bolts.

Note: Do not tighten the M8 bolts.



### Step 3

Install inner passenger bracket and nut plate using two of the M10 bolts.

4



2





#### Step 4

Tighten the two M10 allen bolts.



#### Step 5

Install the support tab with one of the M8 bolts and tighten.



#### Step 6

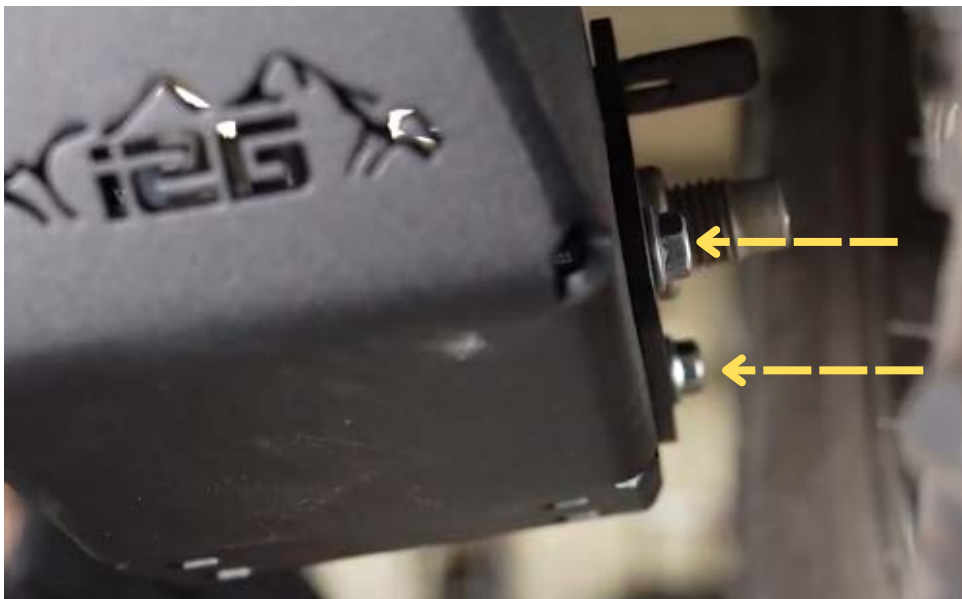
Tighten the outer bracket bolts.



### Step 7

On driver side install the driver side shock skid plate and outer bracket.

3



### Step 8

Install the outer bracket using two of the M8 bolts.

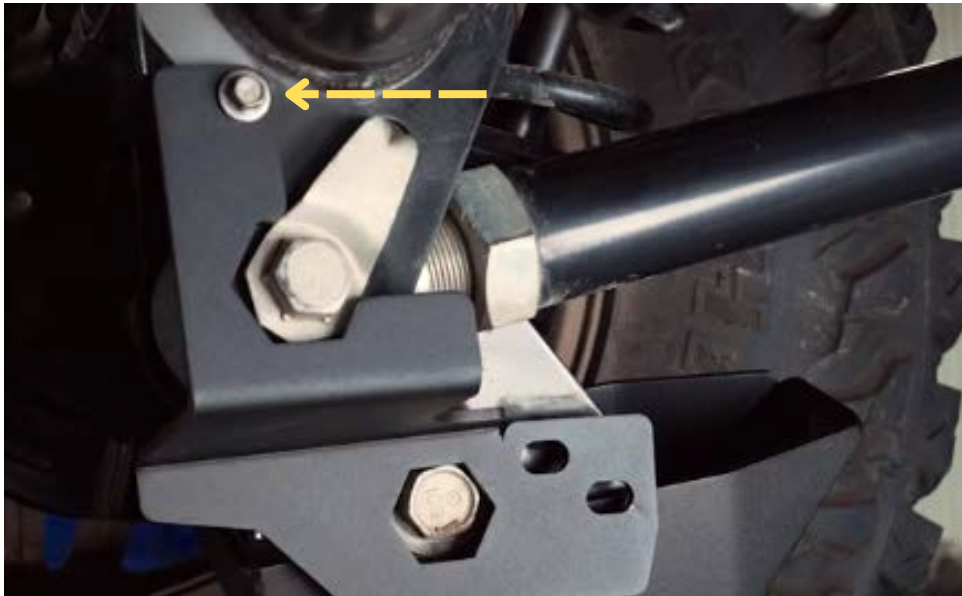
Note: Do not tighten the 12mm bolts.



### Step 9

Remove the brake line bracket bolt using a 10mm socket.

Note: Save this bolt for next step.



#### Step 10

Install the inner driver side bracket using the factory brake line bracket bolt.



Note: Do not tighten the brake line bracket bolt.



#### Step 11

Install the nut plate with two M10 allen bolts.



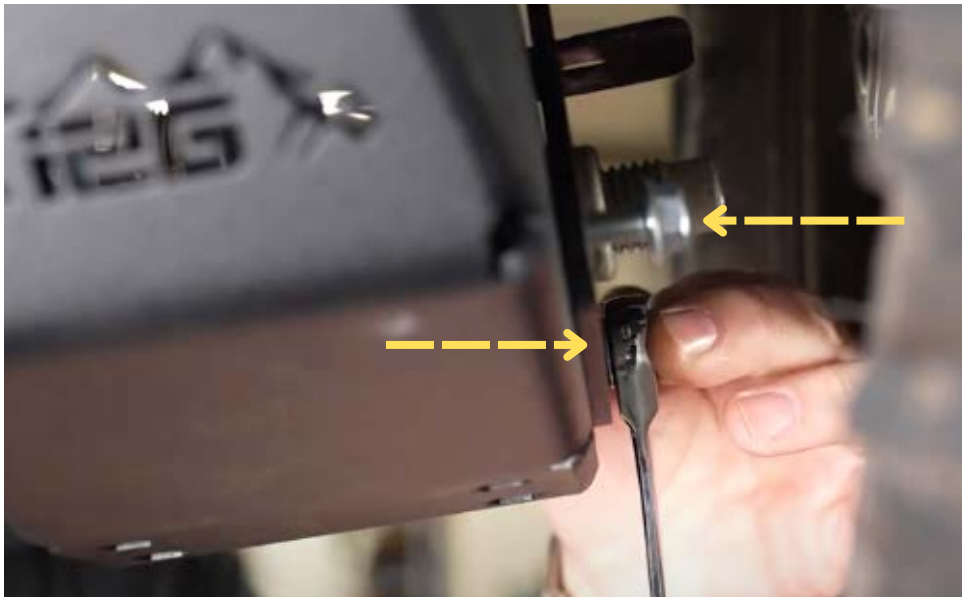
#### Step 12

Tighten the inner M10 allen bolts on both driver and passenger sides.



### Step 13

Tighten the brake line bolt using a 10mm socket.



### Step 14

Tighten the outer M8 bolts on both driver and passenger sides.



If you have any questions about the product or install please reach out to [support@iagoffroad.com](mailto:support@iagoffroad.com) or call 410-840-3555