



U.S. BASED SUPPORT

HOURS: MONDAY - FRIDAY | 8AM - 5PM EST



[1.410.840.3555](tel:14108403555)



support@iagoffroad.com

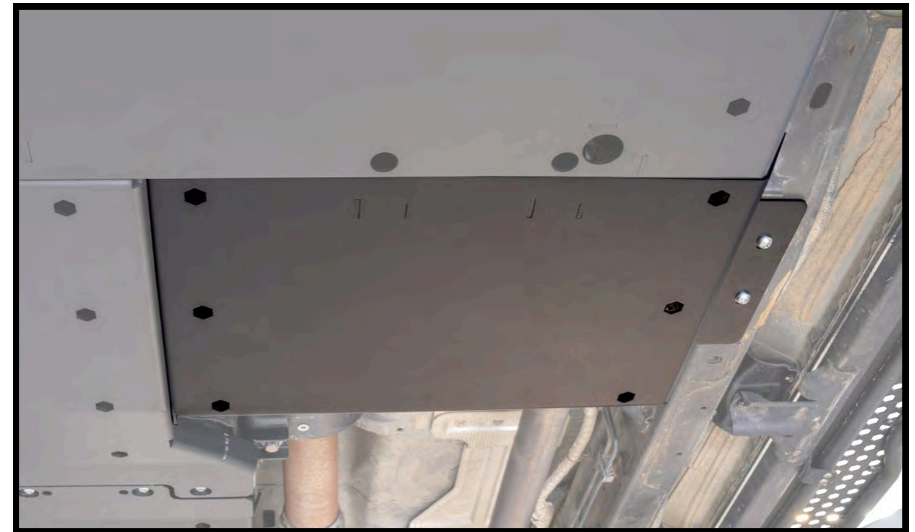


VIDEO INSTRUCTIONS

<https://iagoffroad.com/vi/IAG-BDY-F2303>



SCAN ME



**IAG ROCK SHIELD™
TRANSFER CASE SKID PLATE
FOR 2021+ BRONCO**



IAG Rock Shield™
Transfer Case Skid Plate
For 2021+ Bronco

Part Number: IAG-BDY-F2303

Congratulations on the purchase of your Skid Plate, and thank you for choosing IAG Off-Road!

These instructions are intended for users with basic mechanical skills. Professional installation is not required.

Installation video can be found on our website, or by using the following QR code.

Tools Needed:

Socket/Wrench Sizes:

- 15mm
- 6mm Allen

Scan or click QR code for instruction video:



Revision Date: 6/11/2026

Parts Included:

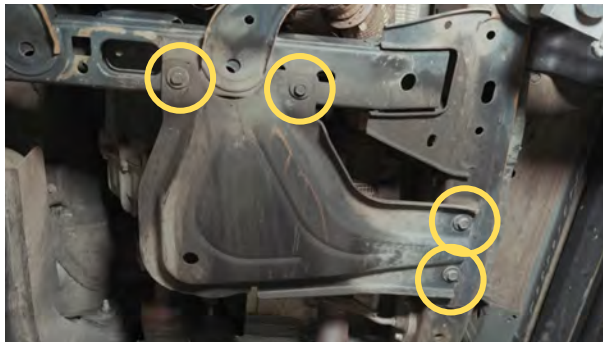
- 1** Transfer Case Skid Plate
- 2** (X4) 6mm Allen Bolt
(X4) Washers
- 2** (X2) Clip Nut



Step 1

Remove the factory Transfer Case Skid Plate if equipped.

Using a 15mm Socket, remove the four bolts that hold the factory Skid. Remove factory Skid.



Step 2

Prepare provided 6mm Allen Bolts and Washer.

Install the Bolts into the factory Transmission Crossmember as shown. (Shown with IAG Transmission Skid Plate)

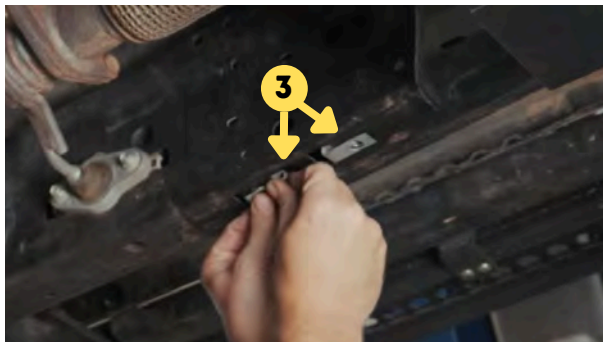
Thread on but do not fully tighten.



Step 3

If vehicle was not equipped with factory Transfer Case Skid Plate, prepare the two provided Clip Nuts.

Install the Clip Nuts into the driver side Frame Rail as shown.



Step 4

Prepare the IAG Skid Plate.

Install the Skid Plate onto the vehicle. Align the two slotted tabs with the Allen Bolts on the Transmission Crossmember.



Step 5

Prepare provided 6mm Allen Bolts and Washers.

Install the Bolts through the Skid Plate into the Clip Nuts on the driver side Frame Rail.



Step 6

Ensure Skid Plate is properly Aligned. Tighten the Bolts evenly until snug.

Torque to 25 ft-lb.

Installation Complete!

