



***IAG Mini Bull Bar***  
***For 2021+ Bronco Modular Bumper***

**IAG Mini Bull Bar for 2021+ Bronco Modular Bumper**  
**Part Number: IAG-BDY-F1402**

**Congratulations on the purchase of your IAG Mini Bull Bar, and thank you for choosing IAG Off Road! These instructions are intended for users with basic mechanical skills. Professional installation is not required.**

**Product includes:**

- 1** IAG Mini Bull Bar
- 2** (x8) Washers



**Tools Needed:**

Torx Plus 40 Socket and wrench

**Step 1:**

Remove the eight factory Torx Plus 40 Bolts as shown in the diagram.

**Step 2:**

Install the provided washers onto the factory bolts.

2

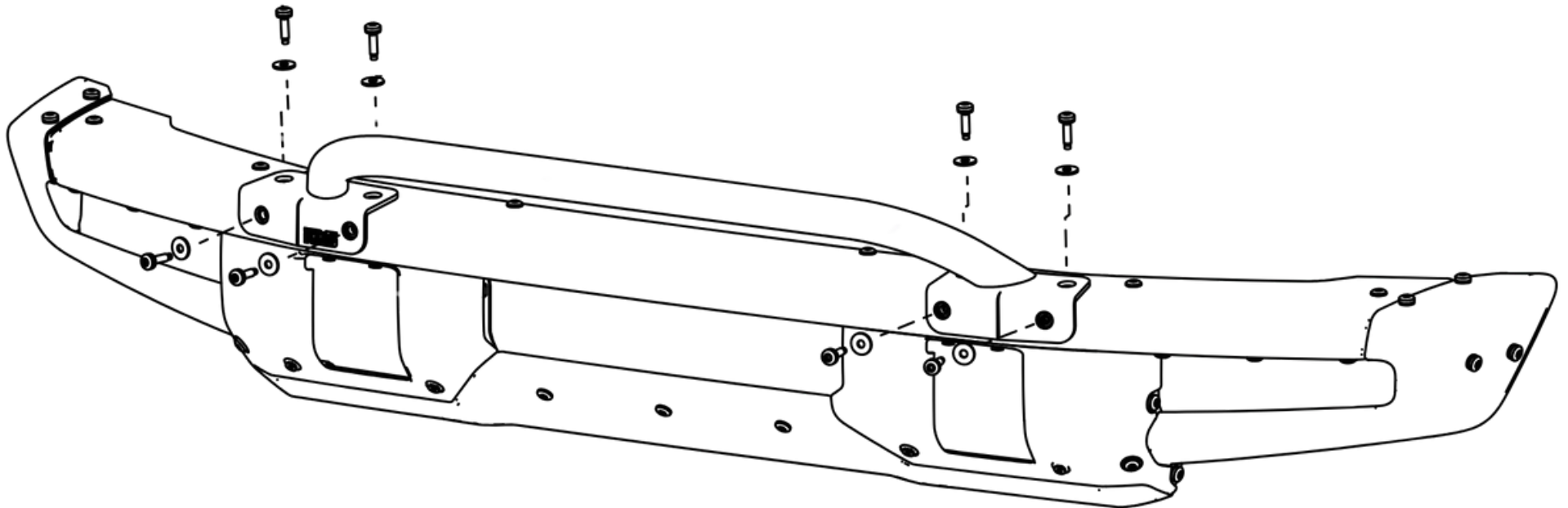
**Step 3:**

With the help of a second person, hold the Mini Bull Bar up to the bumper.

1

**Step 4:**

Reinstall the factory bolts into the bumper, do not tighten until all the bolts are started.



If you have any questions about the installation or product please contact [support@iagoffroad.com](mailto:support@iagoffroad.com) or call 410-840-3555